



**Saudi Dunes Group for Petroleum Industry**  
مجموعة مصانع الكيماويات السعودية للصناعات البترولية

P  
E  
T  
R  
O  
L  
U  
M  
L  
U  
B  
R  
I  
C  
A  
N  
T  
S





**Saudi Dunes Group for Petroleum Industry**  
مجموعة مصانع الكيوان السعودفة للصناعات البترولفة

## PetroDunes Oils

Dear Customer: This guide is designed to give you the basic information in a simplified way about the products manufactured by PetroDunes oils, according to the highest international quality specifications, set by the institutes and specified international institutions such as the American Petroleum Institute. (API)

Because we care that you receive the most appropriate degree in performance ,the department of technical support in PetroDunes deliver the complete and accurate information about each product of zafra's international oils factory. This factory mix and manufacture oils according to strict and sophisticated censorship from the analysis laboratory and special research for PetroDunes oils so as to maintain the highest quality standards, which in turn gives you the highest performance and protection standards.

It should be noted that the evidence will not be inclusive of all items produced by Zafra's international oils factory.

Technical Support department in PetroDunes



**Saudi Dunes Group for Petroleum Industry**  
مجموعة مصانع الكيماويات السعودية للصناعات البترولية

## PetroDunes and Quality Policy

Quality is a system that we follow since our departure. It is a course of action that we took upon ourselves in order to produce the best varieties according to the international standards so in PetroDunes we are concerned with the following:

- Maintaining the safety of the environment where we work.
- Full compliance with the legal foundations.
- Permanent seeking to produce oils in accordance with the highest standards and most developed.
- Serving our customers in a flexible and stable way.
- Working on the reinforcement of the abilities of our workers and motivating them.



**Saudi Dunes Group for Petroleum Industry**  
مجموعة مصانع الكيماويات السعودية للصناعات البترولية

## Table of Contents

### Crankcase oils

#### 1 - Vehicles transporting people and light vans:

PetroDunes 10W/40

PetroDunes 20W/50

PetroDunes Super 20W/50, 30,40,50

#### 2 - Diesel engine oils:

PetroDunes diesel 10W/40

PetroDunes developed oil 15W/40

Diesel special engine oil

Heavy-duty diesel engine oil

### Transmission oils

Automatic transmission oil DEXRON II

Automatic transmission oil DEXRON III

### Gear oils

Gear oil GL4

Gear oil GL5

### Brake oils

PetroDunes DOT3

PetroDunes DOT4

### Cleansing Oil

### Industrial oils

Hydraulic oil 32

Hydraulic oil 37

Hydraulic oil 46

Hydraulic oil 68

### Marine oils

Marine motor oil 312

Marine motor oil 412

Marine motor oil 512

### Radiator

PetroDunes radiator

### Grease



**Saudi Dunes Group for Petroleum Industry**  
مجموعة مصانع الكيماويات السعودية للصناعات البترولية

## PetroDunes 10W/40

Product	Kinetic Viscosity in CST		Viscosity	Flashpoint %
	<b>40 %</b>	<b>100 %</b>		
<b>PetroDunes 10W/40</b>	<b>90</b>	<b>14</b>	<b>160</b>	<b>225</b>

PetroDunes 10W/40 This product is specialized by its high level performance that exceeds the level of specifications of the American petroleum institute SL / CF for engine oil. This product is a complex industrial oil and it is characterized by its high performance which exceeds the level of SJ and even JL Mineral oils. It was specially made to be used in all seasons of the year and in all vehicles transporting people and light vans which use gasoline and even diesel.





**Saudi Dunes Group for Petroleum Industry**  
مجموعة مصانع الكيماويات السعودية للصناعات البترولية

## Special PetroDunes 20W/50

Product	Kinetic Viscosity in CST		Viscosity	Flashpoint %
	<b>40 %</b>	<b>100 %</b>		
<b>Special PetroDunes 20W/50</b>	<b>162</b>	<b>17.8</b>	<b>125</b>	<b>240</b>

Special PetroDunes engines oil is characterized by its high level performance that exceeds the specifications of the American Petroleum Institute SL / CF for engine oil. This oil is multipurpose oil that fits all uses of gasoline and diesel engines light vans. This oil is characterized by its high and adequate performance for most global companies that manufactures cars like the American, Japanese and European ones.





**Saudi Dunes Group for Petroleum Industry**  
مجموعة مصانع الكيماويات السعودية للصناعات البترولية

## Engine's super oil 20W/50 - 30, 40, 50

Product	Kinetic Viscosity in CST		Viscosity	Flashpoint %
	40 %	100 %		
<b>20W/50</b>	<b>162</b>	<b>17.8</b>	<b>125</b>	<b>240</b>
<b>30</b>	<b>111</b>	<b>12</b>	<b>98</b>	<b>240</b>
<b>40</b>	<b>155</b>	<b>15</b>	<b>97</b>	<b>250</b>
<b>50</b>	<b>220</b>	<b>19</b>	<b>96</b>	<b>260</b>

Engines' PetroDunes super oil is considered one of the most suitable oils to protect the engines from corrosion and oxidation. This oil carries the classification SJ / CF to the American Petroleum Institute. Super oil is used in vehicles transporting people and light vans.





Saudi Dunes Group for Petroleum Industry  
مجموعة مصانع الكيماويات السعودية للصناعات البترولية

## Diesel engines' oil 10W/40

Product	Kinetic Viscosity in CST		Viscosity	Flashpoint %
	40 %	100 %		
<b>Diesel oil 10W40</b>	<b>96</b>	<b>14</b>	<b>150</b>	<b>230</b>

PetroDunes oil 10W/40 specified for diesel engines provides high level performance and protection for most heavy-duty engines (diesel engines). This oil carries the specification of the American Petroleum Institute CI4 and the European specification ACEA. It can also be used in light diesel engines that meet the requirements of ACEA B4.







Saudi Dunes Group for Petroleum Industry  
مجموعة مصانع الكيماويات السعودية للصناعات البترولية

## Developed PetroDunes oil 15W/40 - 20W/50

Product	Kinetic Viscosity in CST		Viscosity	Flashpoint %
	40 %	100 %		
<b>Developed PetroDunes 15W/40</b>	<b>115</b>	<b>14.5</b>	<b>130</b>	<b>230</b>
<b>Developed PetroDunes 20W/50</b>	<b>170</b>	<b>19.0</b>	<b>125</b>	<b>240</b>

Developed PetroDunes oil 15W/40, 20W/50 specified for heavy-duty diesel engines provides a high level performance in the hardest weather conditions and natural factors. This product meets the requirements of the American Petroleum Institute C14 and the European specification ACEA E7. It can also be used in light diesel engines and also where it meets the requirements of ACEA B4.





**Saudi Dunes Group for Petroleum Industry**  
مجموعة مصانع الكيماويات السعودية للصناعات البترولية

## Diesel engines' oil (Heavy duty) 40, 50

Product	Kinetic Viscosity in CST		Viscosity	Flashpoint %
	40 %	100 %		
<b>PetroDunes 40</b>	<b>155</b>	<b>15</b>	<b>96</b>	<b>250</b>
<b>PetroDunes 50</b>	<b>225</b>	<b>19</b>	<b>95</b>	<b>260</b>

PetroDunes oils 40, 50 specified for heavy duty engines are the best oils in this field where they meet with the requirements of the American Petroleum Institute CF/CF2. These products were developed to give high performance in the engines of massive mechanisms like the mechanisms of caterpillar company and that is the reason behind the the ability of this product to highly endure oxidation and high temperature.





**Saudi Dunes Group for Petroleum Industry**  
مجموعة مصانع الكيوان السعودية للصناعات البترولية

## Automatic Transmission oil

Product	Kinetic Viscosity in CST		Viscosity	Flashpoint %
	40 %	100 %		
<b>Automatic transmission oil</b>	<b>7.4</b>	<b>38</b>	<b>165</b>	<b>210</b>

\*Automatic transmission oil from multipurpose PetroDunes meets the requirements of the certification DEXRON II concerned with this product. This product is used in automatic transmission chambers in light and heavy vans and heavy. It also fits for vehicles transporting people and different types of trucks and huge mechanisms like the mechanisms of Caterpillar's company and others. This product has the ability of high endurance against oxidation and friction and it provides high levels of performance in different temperatures and difficult weather conditions.

\*Automatic transmission oil DEXRON III consists of essential, industrial complex oils, and this enhances the high performance of this oil in the harshest conditions and highest temperatures for all the needs required by the companies manufacturing vehicles such as Mercedes, Scania and VolksWagen and others.





**Saudi Dunes Group for Petroleum Industry**  
مجموعة مصانع الكيماويات السعودية للصناعات البترولية

## Gears Oil

Product	Kinetic Viscosity in CST		Spill point %	Flashpoint %
	40 %	100 %		
<b>GL5</b>	<b>30</b>	<b>95</b>	<b>-9</b>	<b>240</b>
<b>GL4</b>	<b>14.0</b>	<b>100</b>	<b>-27</b>	<b>210</b>

High quality and high performance gears oil for usage in axes, gears chambers and hand transformers for most types of cars, light and heavy vans and buses. This oil also provides high protection for gears from corrosion in harsh working conditions and high temperatures. This product meets with the requirements of API/GL4, GL5 of the American Petroleum Institute.





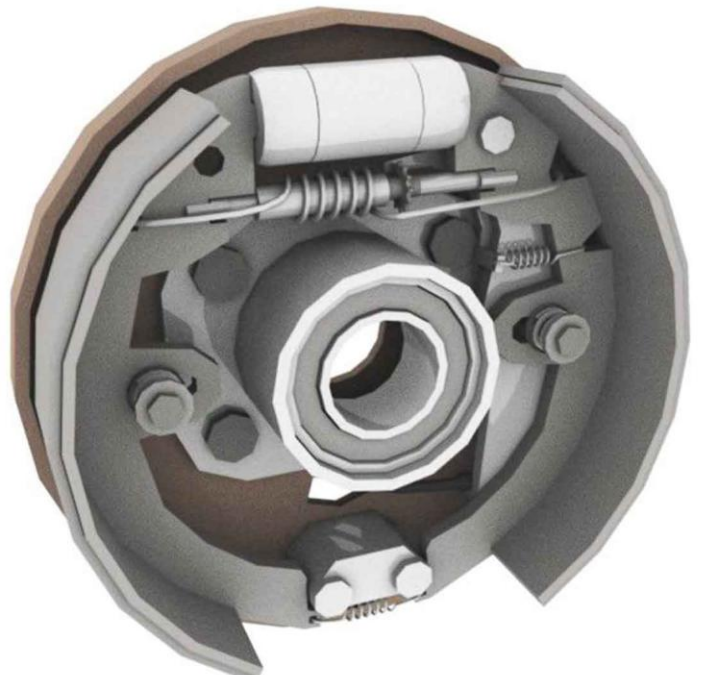
**Saudi Dunes Group for Petroleum Industry**  
مجموعة مصانع الكيماويات السعودية للصناعات البترولية

## Brake oil - DOT3-DOT4

Product	Kinetic Viscosity in CST		Boiling Point	
	40 %	100 %	Original equivalence	Hydrated equivalence
<b>DOT 3</b>	<b>1375</b>	<b>95</b>	<b>238</b>	<b>94</b>
<b>DOT4</b>	<b>1200</b>	<b>100</b>	<b>265</b>	<b>90</b>

The brake oil DOT3-DOT4 from PetroDunes is a non-hydraulic oil. It provides a developed and high level performance on disc brakes, despite the abnormal and high temperatures resulting from the use of vehicles for brake system in harsh circumstances and conditions.

This product is identical to the specifications of DOT3-DOT4 for the Society of Automotive Engineers (SAE).





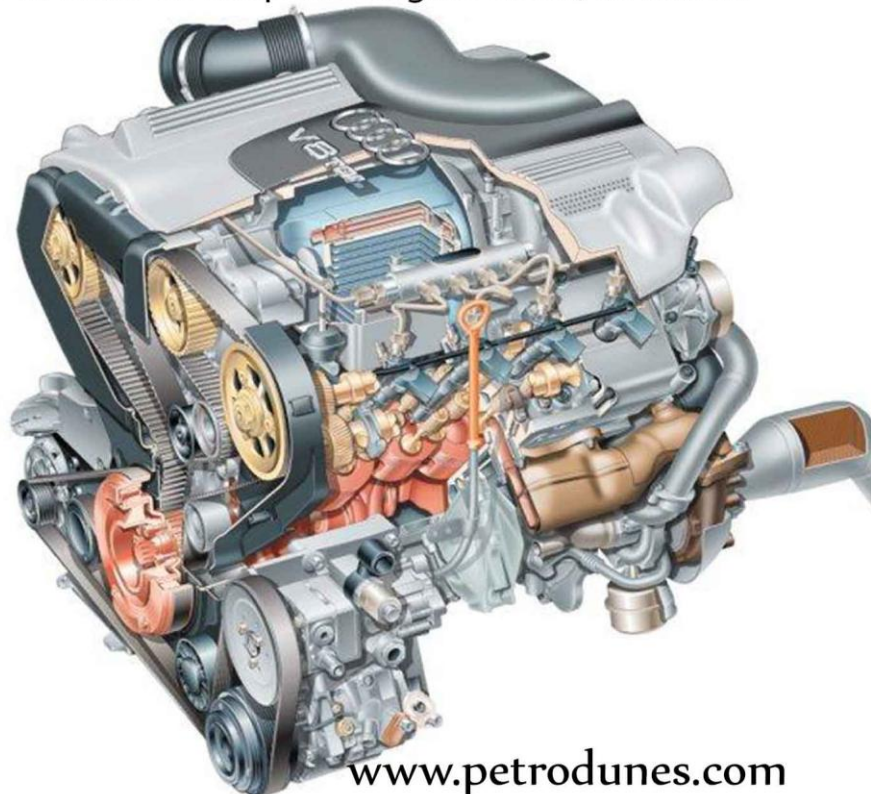
**Saudi Dunes Group for Petroleum Industry**  
مجموعة مصانع الكيماويات السعودية للصناعات البترولية

## Engine Cleansing oil

Product	Kinetic Viscosity in CST		Viscosity	Flashpoint %
	<b>40 %</b>	<b>100 %</b>		
<b>Engine cleansing oil</b>	<b>30</b>	<b>5.3</b>	<b>108</b>	<b>222</b>

Engine cleansing oil is considered a necessary product for cleaning and washing lubrication chambers in all engines and gear boxes and others.

This product is a mineral oil that is free from additives, specified for its high quality. It doesn't cause any adverse effects where it removes accumulated sediments on lubrication systems as a result of combustion and other natural factors. It is highly recommended to use from time to time in order to keep the engine clean, which improves its performance.





Saudi Dunes Group for Petroleum Industry  
مجموعة مصانع الكيماويات السعودية للصناعات البترولية

## Hydraulic Oils / 32 / 46 / 68 / 100

Product	Kinetic Viscosity in CST		Viscosity	Flashpoint %
	40 %	100 %		
<b>32</b>	<b>31</b>	<b>5.3</b>	<b>100</b>	<b>225</b>
<b>46</b>	<b>44</b>	<b>6.6</b>	<b>99</b>	<b>226</b>
<b>68</b>	<b>66</b>	<b>8.5</b>	<b>97</b>	<b>234</b>
<b>100</b>	<b>98</b>	<b>10.9</b>	<b>95</b>	<b>240</b>

High quality hydraulic oils supported with additions specified to be against oxidation, corrosion and rust. These oils are ideal in its viscosity which provides a high performance in large bearings and hydraulic equipments with its different kinds. These oils also have a considerable resistance against combustion at high temperatures, which may arise due to the hard work of hydraulic equipments.





Saudi Dunes Group for Petroleum Industry  
مجموعة مصانع الكيماويات السعودية للصناعات البترولية

## Marine Engines'Oils

Product	Kinetic Viscosity in CST		Viscosity	Flashpoint %
	40 %	100 %		
<b>312</b>	<b>110</b>	<b>12</b>	<b>98</b>	<b>250</b>
<b>412</b>	<b>148</b>	<b>15</b>	<b>96</b>	<b>258</b>
<b>512</b>	<b>226</b>	<b>19</b>	<b>95</b>	<b>264</b>

PetroDunes marine oils have a high level of performance which meets with the requirements of the American Petroleum Institute API / CF. These products contain good detergents for engines and marine lubricants networks, and it is recommended to be used in marine diesel engines with its different kinds including heavy-duty engines and turbine engines.







**Saudi Dunes Group for Petroleum Industry**  
مجموعة مصانع الكيماويات السعودية للصناعات البترولية

## Engine's Coolant Liquid

Product	Relative intensity in 25 m	Boiling point	Freezing point
<b>Coolant liquid</b>	<b>1.14</b>	<b>182</b>	<b>—</b>

PetroDunes special coolant is a liquid that can be used all year-round in all kinds of light and heavy vehicles.

This product from PetroDunes provides an utmost protection for cooling systems from rust and corrosion. It also prevents freezing in winter. It should also be noted that this product has no negative impact on rubber parts in engines cooling systems.





**Saudi Dunes Group for Petroleum Industry**  
مجموعة مصانع الكيماويات السعودية للصناعات البترولية

## Engine's Coolant Liquid

Product	Kinetic viscosity cst	Boiling point	Liquefaction degree %
	40%	100%	Minimum level
<b>Multipurpose 1</b>	<b>220</b>	<b>16</b>	<b>185</b>
<b>Multipurpose 2</b>	<b>220</b>	<b>16</b>	<b>175</b>
<b>Multipurpose 3</b>	<b>290</b>	<b>19</b>	<b>185</b>

